

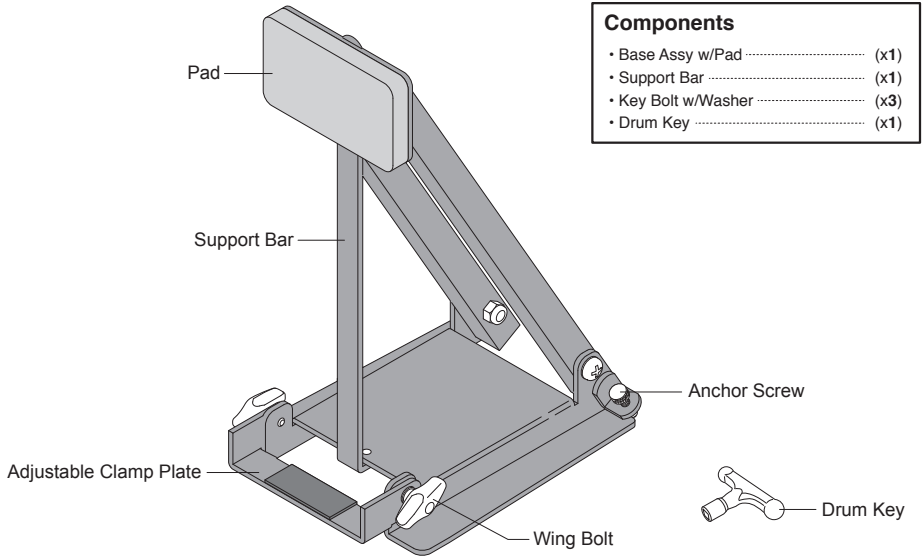
PEARL BASS DRUM PRACTICE KIT

BD-10

Instruction Manual

Congratulations on your purchase!

For optimum performance, please read this Instruction Manual before playing.



Assembly Instructions

1. Partially raise the Pad on the Base Assembly and turn it on its side to rest on a stable flat surface. Next, place the Support Bar with the angled end under the base assembly. Insert a Key Bolt with Washer through the Support Bar into the threaded hole in the Base. Slightly tighten by turning the Key Bolt clockwise (Fig. 1). *Do NOT fully tighten the Key Bolt.*

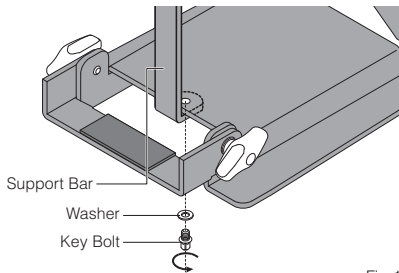


Fig.1

2. Turn the Base Assembly upright and raise the Pad to line the bolt holes in the Support Bar to the corresponding holes on the back of the Pad (Fig.2).

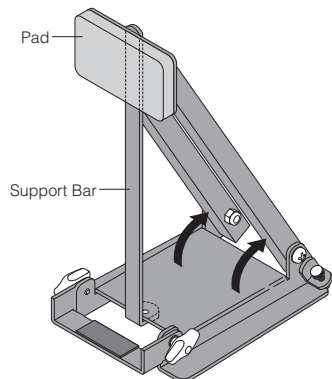


Fig.2

3. Insert both Key Bolts with Washers through the Support Bar into the threaded holes located on the back of the PAD and finger tighten (Fig.3).
4. Next, firmly secure the Support Bar to the Pad and Base by tightening all three Key Bolts using the Drum Key supplied (Fig.1 & Fig.3).

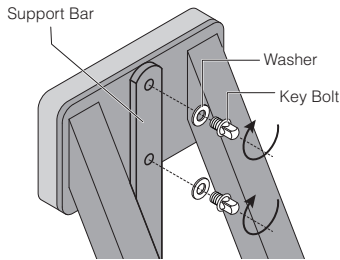


Fig.3

Mounting a Bass Drum Pedal to the BD-10

1. Loosen the Wing Bolts by turning them counterclockwise on both sides of the BD-10 Adjustable Clamp Plate (Fig.4).
2. Next, loosen the Bass Drum Pedal Hoop Clamp Wing Bolt by turning it counterclockwise (Fig.5). Note: Bass Drum Pedal Hoop Clamps vary in style depending on the model.
3. Place the Bass Drum Pedal Hoop Clamp onto the BD-10 Adjustable Clamp Plate and firmly attach the Pedal by tightening the Pedal Hoop Clamp Wing Bolt clockwise (Fig.5). Check to ensure the Bass Drum Pedal is secure.
4. Tighten the BD-10 Adjustable Clamp Plate Wing Bolts by turning them clockwise (Fig.4). Check to ensure they are evenly tight and secure.

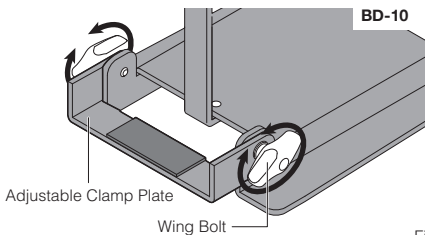


Fig.4

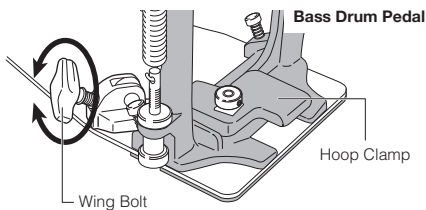
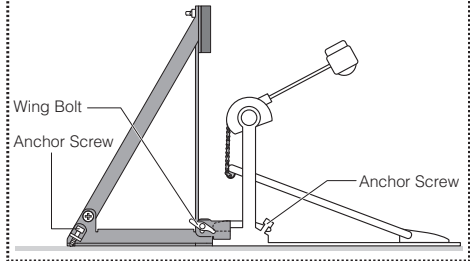


Fig.5

Suggested Use

To use the BD-10, place it on a flat surface and adjust the Anchor Screws by extending them downward to prevent creeping. We also suggest using the Anchor Screws of the Bass Drum Pedal if needed.



CAUTION

- ◆ The Anchor Screws are Sharp; please take care when handling the product.
- ◆ For best results, use on carpeted surfaces only.
- ◆ Use on hard flooring may result in damage to the floor surface from the Anchor Screw sharp tip. Check to ensure the Anchor Screws are always retracted when used on these surfaces.
- ◆ Periodically check all Wing Bolts and Key Bolts to ensure they are tight.

California Proposition 65



Pearl

<https://www.pearldrums.com>

Products and specifications are subject to change without notice.

Printed in Taiwan
©Oct 2020