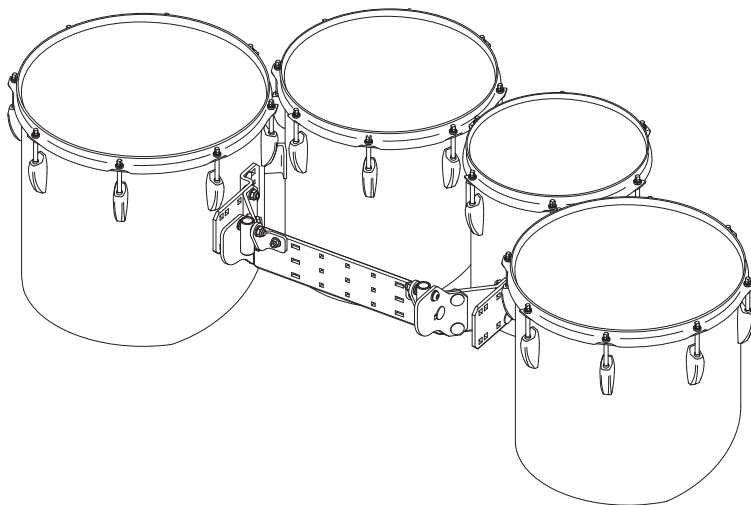


PEARL

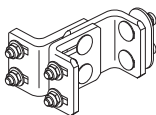
MARCHING TENOR DRUMS

Instruction Manual

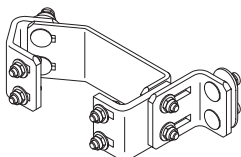
Congratulations on your purchase!
 To get optimum performance of your Marching Tenor Drums,
 please read this Instruction Manual before playing.



Optional Parts



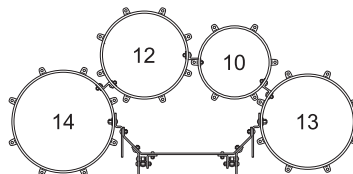
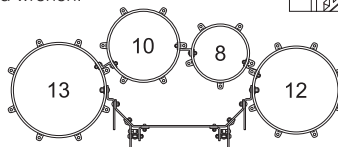
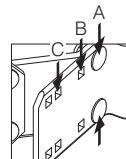
BBS-6S/B Attachment



BBS-6S/B Attachment

Quad

The Tenor Back Bar is pre-set for a Quad setup and no adjustments are necessary. If you prefer to position the Quads further away from your body please move the Side Bars to the "B" or "C" positions using the provided wrench.

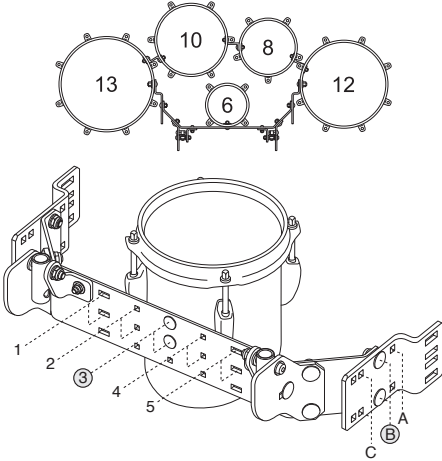


Quint

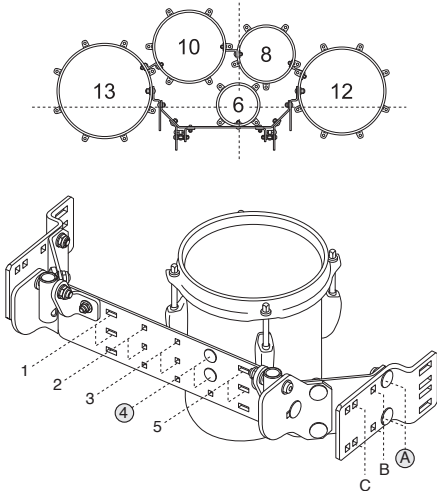
Quint 6+8+10+12+13

For Quints (6+8+10+12+13), the 6" tom can be mounted directly to the Back Bar in the center (3rd position) or in the offset position (4th position). When mounting the 6" tom in the center, adjust the Side Bars to position "B". For mounting in the offset position, adjust the Side Bars to position "A".

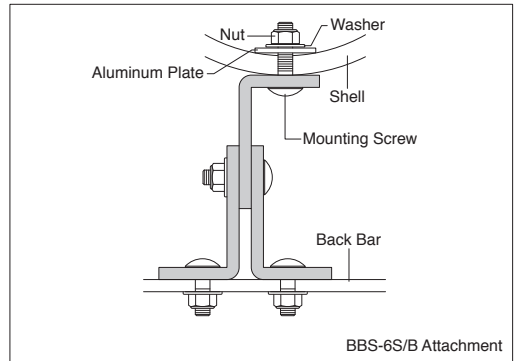
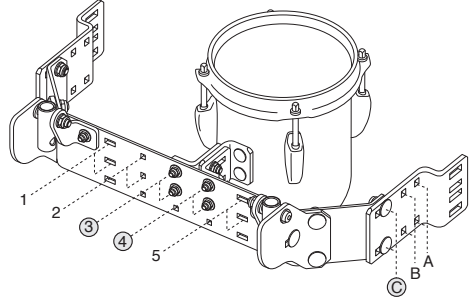
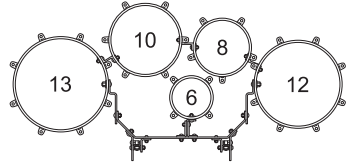
Center position



Offset position



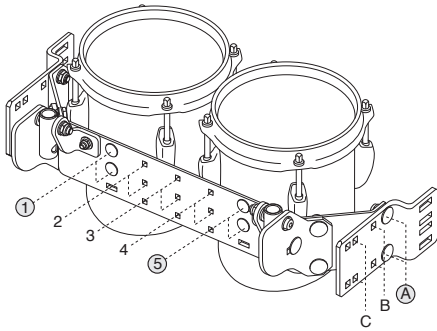
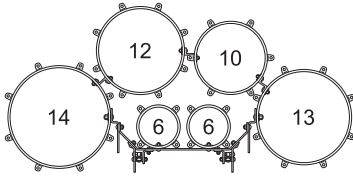
The 6" tom can also be attached to the Back Bar with a BBS-6S/B Attachment (sold separately) in the 3rd/4th position as shown. Set the Side Bars to the "C" Position as shown.



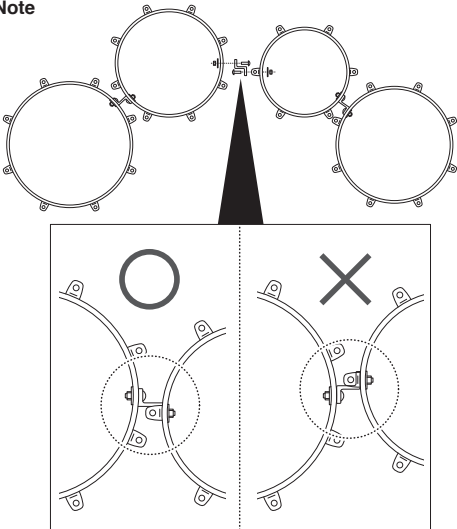
Sextet 6+6+10+12+13+14

The 6" toms in the 6+6+10+12+13+14 Sextet can be mounted directly to the Back Bar or with BBS-6S/B attachments. When mounting directly to the Back Bar, mount the 6" toms to the Back Bar in the 1st and 5th positions. When using the BBS-6S/B attachments, mount each attachment to 1st/2nd and 4th/5th positions. When mounting directly, set the Side Bars to the "A" position and when using BBS-6S/B attachments, adjust to position "C"

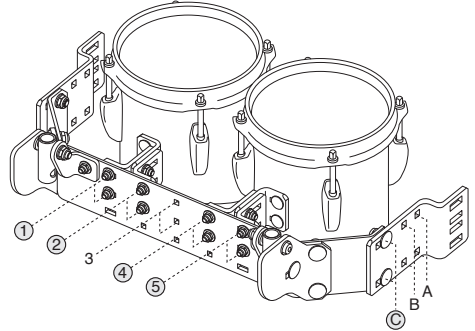
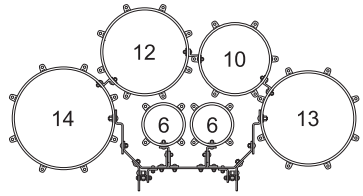
Direct mounting



Note

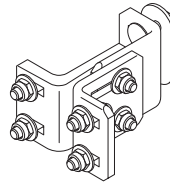


Using BBS-6S/B

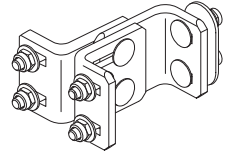


Note

Position the BBS-6S/B attachment as shown below.



LEFT



RIGHT

Pearl

<http://www.pearldrums.com>

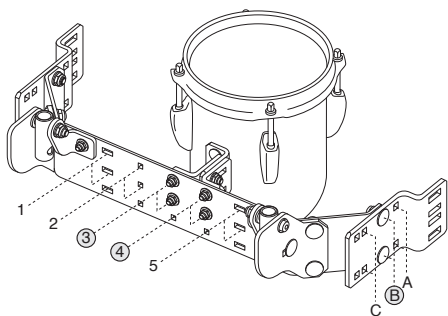
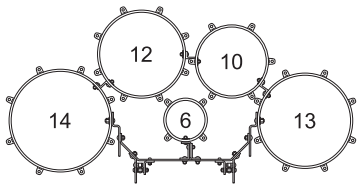
Products and specifications are subject to change without notice.

Printed in Taiwan

-1912-

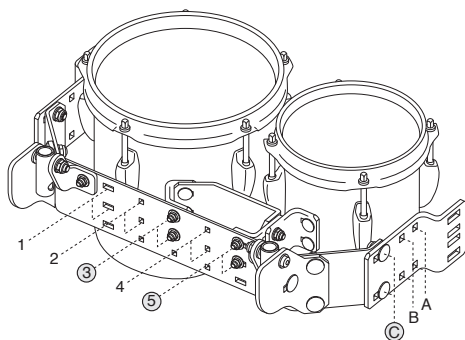
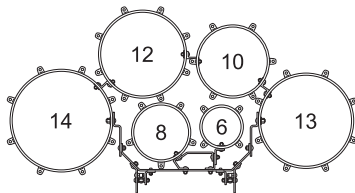
Quint 6+10+12+13+14

For Quints (6+10+12+13+14), mount the 6" tom to the Back Bar with a BBS-6S/B Attachment (sold separately) in the 3rd / 4th position as shown. Set the Side Bars to the "B" Position as shown.



Sextet 6+8+10+12+13+14

For Sextets (6+8+10+12+13+14), mount the BBS-68S/B Attachments on the 3rd/5th position and attach the 6" and 8" toms as shown. Set the Side Bars to the "C" position as shown.



Sextet

Sextet 6+6+8+10+12+13

For Sextets (6+6+8+10+12+13), mount the 6" toms directly to the Back Bar in the 1st and 5th positions as shown. Set the Side Bars to the "B" Position as shown.

